



All Recreation of Virginia, Inc.
 20609 Gordon Park Square
 Suite 190
 Ashburn, VA 20147

Office Ph: 888-419-0001

Fax: 703-589-1493

PROPOSAL

Quote # ARVQ7470

Date 09/29/08

Sales Rep. Brian Talbot

Customer's PO No:

Shipping Method: Common Carrier

Terms

80% deposit with the order, the balance is due upon completion.

Bill To:

Lake Anna State Park
 c/o Friends of Lake Anna State Park
 3601 Burton Road

Bumpass VA 23024

Attn: Jo Finch
 Phone: 540-895-5061
 Fax: 540-895-0025
 Email: johnny_finch@yahoo.com

Ship To:

Lake Anna State Park
 c/o All Recreation - Harris Crew

Attn:
 Phone:
 Fax:
 Email:

Qty	Item No.	Description	Unit Price	Ext. Price
1	PSI ZZXX3150	PLAYEXPRESS ENGINE	\$6,576.52	\$6,576.52
24	Childforms FTB-00002	4' x 8" Funtimber Plastic Border w/ Spike	\$35.00	\$840.00
1	Zeager Bros. Woodcarpet	To deliver Woodcarpet @ 12" (which will settle to 8") in area.	\$500.60	\$500.60
1	Installation	To install above listed item(s).	\$3,124.69	\$3,124.69
1	Filter Fabric	To deliver and install 1 layer of Heavy Duty Filter Fabric under surfacing in area.	\$301.60	\$301.60
		SubTotal		\$11,343.41
1	PSI ZZXX3190	TANKER CAR	\$1,908.56	\$1,908.56
20	Childforms FTB-00002	4' x 8" Funtimber Plastic Border w/ Spike	\$35.00	\$700.00
1	Zeager Bros. Woodcarpet	To deliver Woodcarpet @ 12" (which will settle to 8") in area.	\$375.45	\$375.45
1	Installation	To install above listed item(s).	\$1,851.40	\$1,851.40
1	Filter Fabric	To deliver and install 1 layer of Heavy Duty Filter Fabric under surfacing in area.	\$222.72	\$222.72
		SubTotal		\$5,058.13
1	PSI ZZXX3180	SANDBOX CAR	\$3,499.91	\$3,499.91
22	Childforms FTB-00002	4' x 8" Funtimber Plastic Border w/ Spike	\$35.00	\$770.00
1	Zeager Bros. Woodcarpet	To deliver Woodcarpet @ 12" (which will settle to 8") in area.	\$500.60	\$500.60
1	Installation	To install above listed item(s).	\$2,054.04	\$2,054.04
1	Filter Fabric	To deliver and install 1 layer of Heavy Duty Filter Fabric under surfacing in area.	\$278.40	\$278.40
		SubTotal		\$7,102.95



All Recreation of Virginia, Inc.
 20609 Gordon Park Square
 Suite 190
 Ashburn, VA 20147

Office Ph: 888-419-0001

Fax: 703-589-1493

PROPOSAL

Quote # ARVQ7470

Date 09/29/08

Sales Rep. Brian Talbot

Customer's PO No:

Shipping Method: Common Carrier

Terms

80% deposit with the order, the balance is due upon completion.

Bill To:

Lake Anna State Park
 c/o Friends of Lake Anna State Park
 3601 Burton Road

Bumpass VA 23024

Attn: Jo Finch
 Phone: 540-895-5061
 Fax: 540-895-0025
 Email: johnny_finch@yahoo.com

Ship To:

Lake Anna State Park
 c/o All Recreation - Harris Crew

Attn:
 Phone:
 Fax:
 Email:

1	PSI	ZZXX3170	DINING CAR	\$2,757.28	\$2,757.28
20	Childforms	FTB-00002	4' x 8" Funtimber Plastic Border w/ Spike	\$35.00	\$700.00
1	Zeager Bros.	Woodcarpet	To deliver Woodcarpet @ 12" (which will settle to 8") in area.	\$375.45	\$375.45
1		Installation	To install above listed item(s).	\$1,883.23	\$1,883.23
1		Filter Fabric	To deliver and install 1 layer of Heavy Duty Filter Fabric under surfacing in area.	\$232.00	\$232.00
			SubTotal		\$5,947.96
			SubTotal		\$29,452.45
			Sales Tax		\$0.00
			Freight		\$1,074.40
			Total		\$30,526.85

WE PROPOSE hereby to furnish complete in accordance with the above specifications. Accounts over 10 days old are subject to 1-1/2% monthly charge. NOTE: This proposal may be withdrawn by All Recreation of Virginia, Inc. if not accepted with ten (10) days. Customer is responsible to locate and mark all private utilities. All Recreation of Virginia, Inc. and it's installers will not be held responsible for any damage to any private utilities damaged in the installation process which were not located and marked by the customer.

 Authorized All Recreation of VA, Inc. Signature

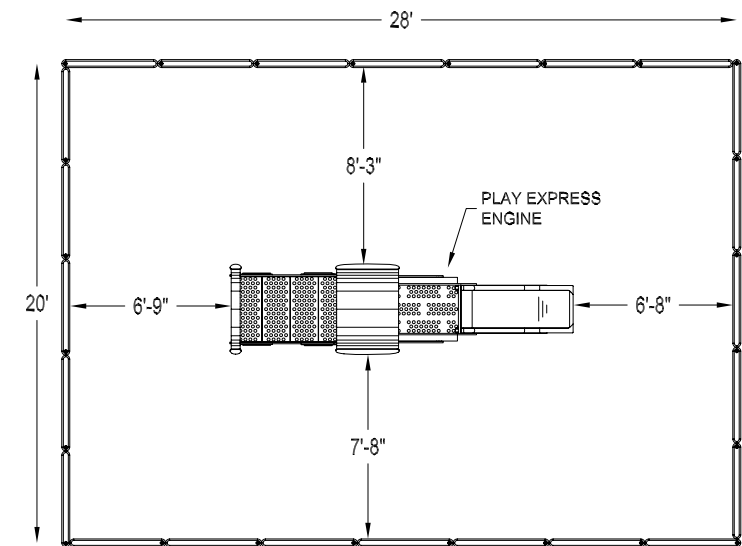
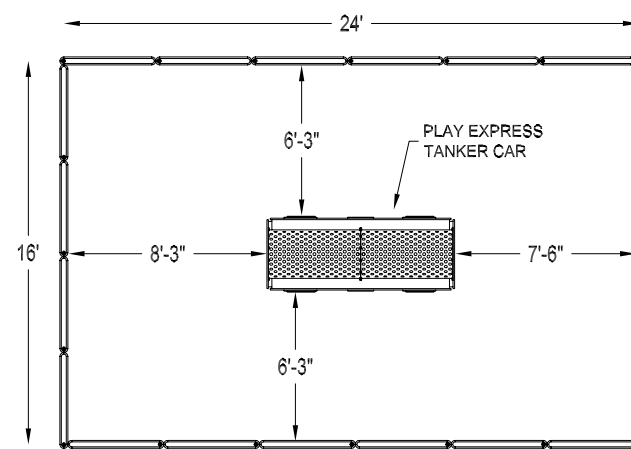
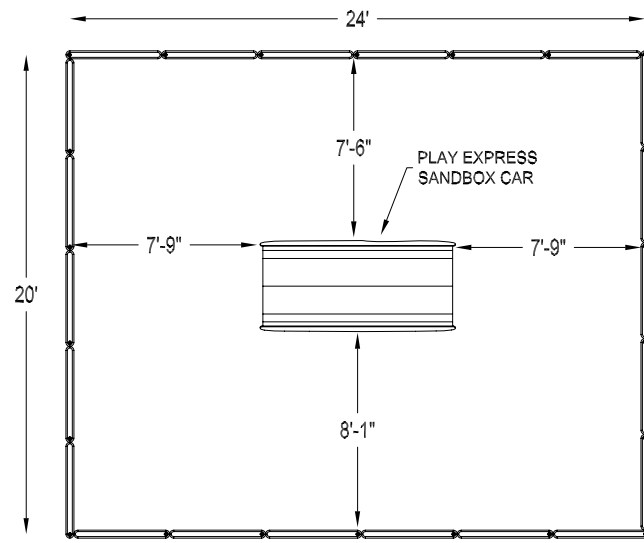
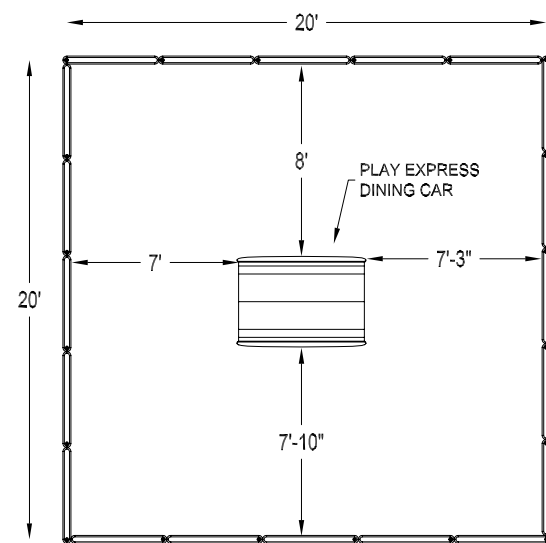
ACCEPTANCE OF PROPOSAL: The above prices, specifications and conditions are satisfactory and are hereby accepted:

 Authorized Customer Signature

____/____/____
 Date

Tax Exempt Certification Number: _____

Make checks payable to All Recreation of Virginia, Inc. Please put proposal/ invoice number(s) on check.



28 USERS

2-5

PLAYWORLD™

© 2007 Playworld Systems, Inc.
Playworld™ is a brand of Playworld Systems, Inc.



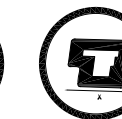
n/a



n/a



n/a



n/a

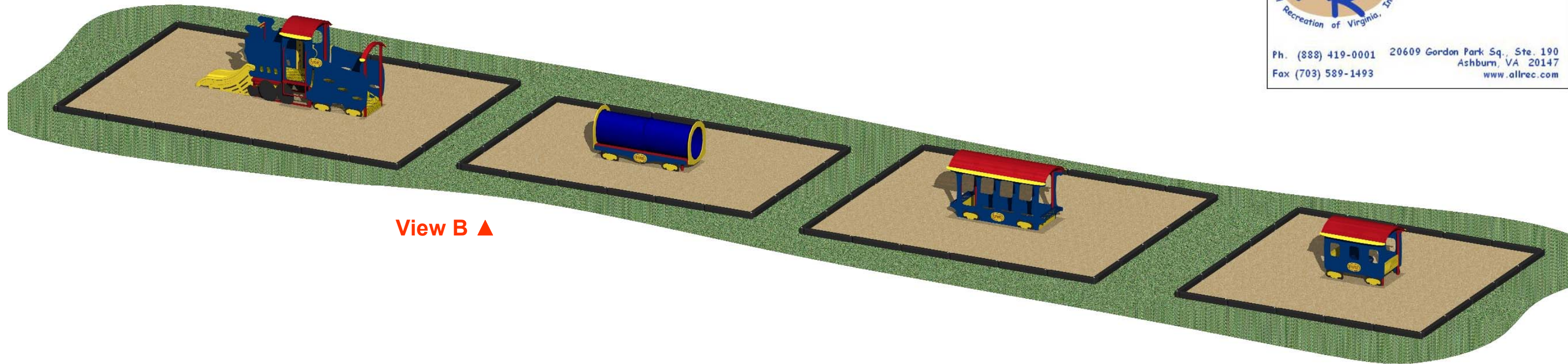
***Playground Supervision Required**

PROJECT NO: LakeAnna1	REV:	DATE: 9/29/2008
SYSTEM: PLAYWORLD		SCALE: 1/8" = 1'-0"
SITE PLAN		DRAWN BY: Liz Marker

LAKE ANNA STATE PARK

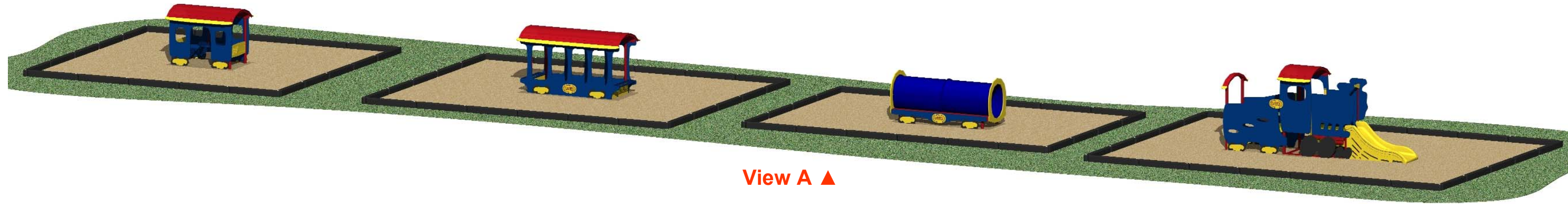
Spotsylvania, Virginia

All Recreation of Virginia, Inc.
20609 Gordon Park Sq., Ste. 190
Ashburn, Virginia 20147
(888) 419-0001



View B ▲

Shown With:



View A ▲